

**INSTRUCTION MANUAL  
HYDRAULIC TABLE TRUCK**



**MODEL: CART-200-ALUM**

# CART-200-ALUM (HYDRAULIC LIFT TABLE)

## 1. Use & applicable range

It is a convertible vehicle using for lifting and transporting in workshop, workshop, warehouse and wharf, etc.

## 2. Basic Data:

Model:	TF15	ALT-10
Rate Capacity	150(kg)	100 kg
Lift Height:	730mm	730 mm
Min. Height	210/330mm	210 mm
Table Dimensions:	700×450×35mm	700×450×35mm
Packing Dimensions :	800×470×260/340mm	800×470×260mm
Net Weight:	37kg	25

## 3. Installation

- I. Put the handle (6) on the frame (14) , and fix it by two M 10 bolt .
- II. Insert the foot pedal (48) into the hole of the foot pedal support (44) , and fix it by M8 bolt.
- III. Install the straight rod (11) into the gimbal cover and fix it with M5 set screw.

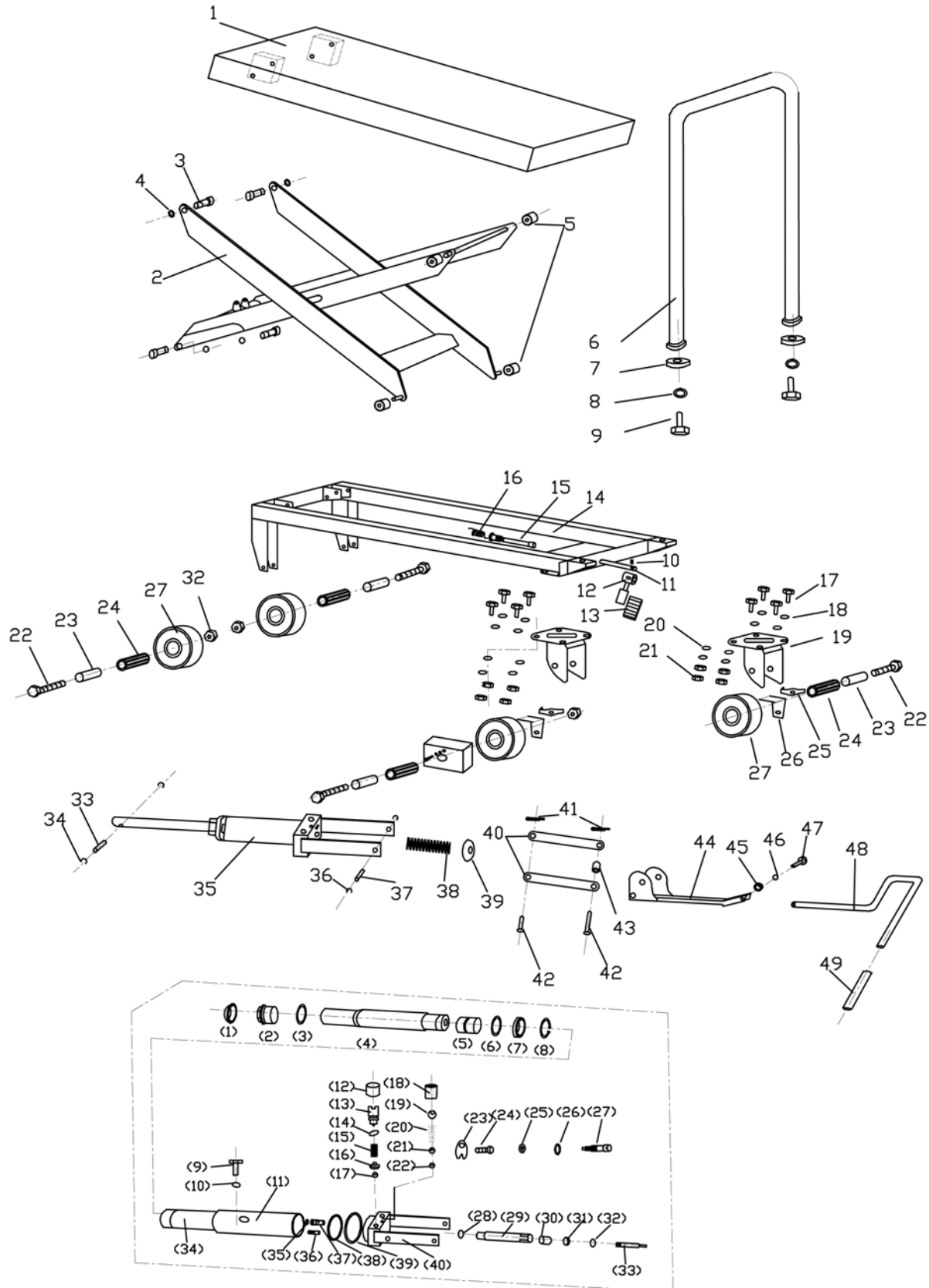
## 4. Using

- I. Trail the cart before using . Foot he foot rod equably to lift the table to the max height till the set site valve discharge .
- II. Fix the cart by brake before loading .
- III. Foot the pedal up and down equably to lift the table to the need height , and then load and discharge in the rate capacity .
- IV. Foot the discharge switch to low down the table .

## 5. Warning!

- I Read and understand the owner's manual before assembly and operation.
- II Do not load scissor lift beyond its rated capacity
- III Keep feet and hand away from under the lowering table. Suggest to wear safety shoes during operation.
- IV Do not allow people to sit or ride on scissor lift.
- V The goods must put in the area more than 80% area of the table.
- VI Do not use the cart on slope.
- VII Do not transport loads in the raised position.
- VIII Failure to comply with the above warnings may result in personal injury and/or property damage.

# CART-200-ALUM PARTS DRAWING



# PARTS LIST

PART NUMBER	DESCRIPTION	Qt'y	PART NUMBER	DESCRIPTION	Qt'y
C-200-ALUM-18-1	Deck	1	C-200-ALUM-18-46	Washer, Lock	1
C-200-ALUM-18-2	Scissors	1	C-200-ALUM-18-47	Bolt, Hex Head	1
C-200-ALUM-18-3	Shaft	4	C-200-ALUM-18-48	Pedal, Foot	1
C-200-ALUM-18-4	C-Ring	4	C-200-ALUM-18-49	Cover, Rubber	1
C-200-ALUM-18-5	Roller, Guide	4	C-200-ALUM-18-P1	Cover, Dust	1
C-200-ALUM-18-6	Handle	1	C-200-ALUM-18-P2	Nut, Gland	1
C-200-ALUM-18-7	Washer	2	C-200-ALUM-18-P3	O-Ring	1
C-200-ALUM-18-8	Washer, Lock	2	C-200-ALUM-18-P4	Piston, Lift	1
C-200-ALUM-18-9	Bolt, Hex Head	2	C-200-ALUM-18-P5	Piston	1
C-200-ALUM-18-10	Screw, Set	3	C-200-ALUM-18-P6	O-Ring	1
C-200-ALUM-18-11	Rod, Straight	1	C-200-ALUM-18-P7	Seal	1
C-200-ALUM-18-12	Pedal, Release	1	C-200-ALUM-18-P8	C-Ring	1
C-200-ALUM-18-13	Cover, Rubber	1	C-200-ALUM-18-P9	Plug, Hex	1
C-200-ALUM-18-14	Frame	1	C-200-ALUM-18-P10	O-Ring	1
C-200-ALUM-18-15	Gimbal	1	C-200-ALUM-18-P11	Body, Cylinder	1
C-200-ALUM-18-16	Spring, Release	1	C-200-ALUM-18-P12	Cover, Dust	1
C-200-ALUM-18-17	Bolt, Hex Head	8	C-200-ALUM-18-P13	Plug, Adjustable Pressure	1
C-200-ALUM-18-18	Washer, Flat	8	C-200-ALUM-18-P14	O-Ring	1
C-200-ALUM-18-19	Frame, Swivel Caster	2	C-200-ALUM-18-P15	Spring	1
C-200-ALUM-18-20	Washer, Lock	8	C-200-ALUM-18-P16	Seat, Spring	1
C-200-ALUM-18-21	Nut, Hex	8	C-200-ALUM-18-P17	Ball, Steel	1
C-200-ALUM-18-22	Bolt, Hex Head	4	C-200-ALUM-18-P18	Plug, Hex	1
C-200-ALUM-18-23	Bushing	4	C-200-ALUM-18-P19	Ball, Steel	1
C-200-ALUM-18-24	Bearing	4	C-200-ALUM-18-P20	Spring	1
C-200-ALUM-18-25	Pedal, Brake	2	C-200-ALUM-18-P21	Ball, Steel	1
C-200-ALUM-18-26	Lock, Wheel	2	C-200-ALUM-18-P22	Ball, Steel	1
C-200-ALUM-18-27	Wheel	4	C-200-ALUM-18-P23	Plywood	1
C-200-ALUM-18-28	Cover, Wheel	4	C-200-ALUM-18-P24	Bolt, Hex Head	1
C-200-ALUM-18-29	Washer, Flat	4	C-200-ALUM-18-P25	Ball, Steel	1
C-200-ALUM-18-30	Washer, Lock	4	C-200-ALUM-18-P26	O-Ring	1
C-200-ALUM-18-31	Screw, Phillips Head	4	C-200-ALUM-18-P27	Screw, Set	1
C-200-ALUM-18-32	Nut, Set	4	C-200-ALUM-18-P28	O-Ring	1
C-200-ALUM-18-33	Shaft	1	C-200-ALUM-18-P29	Cylinder, Pump	1
C-200-ALUM-18-34	C-Ring	2	C-200-ALUM-18-P30	O-Ring	1
C-200-ALUM-18-35	Cylinder	1	C-200-ALUM-18-P31	Cover, Dust	1
C-200-ALUM-18-36	C-Ring	2	C-200-ALUM-18-P32	Seal	1
C-200-ALUM-18-37	Shaft	1	C-200-ALUM-18-P33	Piston, Lift	1
C-200-ALUM-18-38	Spring	1	C-200-ALUM-18-P34	Body, Inner Cylinder	1
C-200-ALUM-18-39	Seat, Spring	1	C-200-ALUM-18-P35	O-Ring	1
C-200-ALUM-18-40	Links	2	C-200-ALUM-18-P36	Filter	1
C-200-ALUM-18-41	Pin, Lock	2	C-200-ALUM-18-P37	Valve, Lowering	1
C-200-ALUM-18-42	Shaft	2	C-200-ALUM-18-P38	Washer	1
C-200-ALUM-18-43	Bushing	1	C-200-ALUM-18-P39	Washer	1
C-200-ALUM-18-44	Support, Foot Pedal	1	C-200-ALUM-18-P40	Valve	1
C-200-ALUM-18-45	Washer, Flat	1			